

4

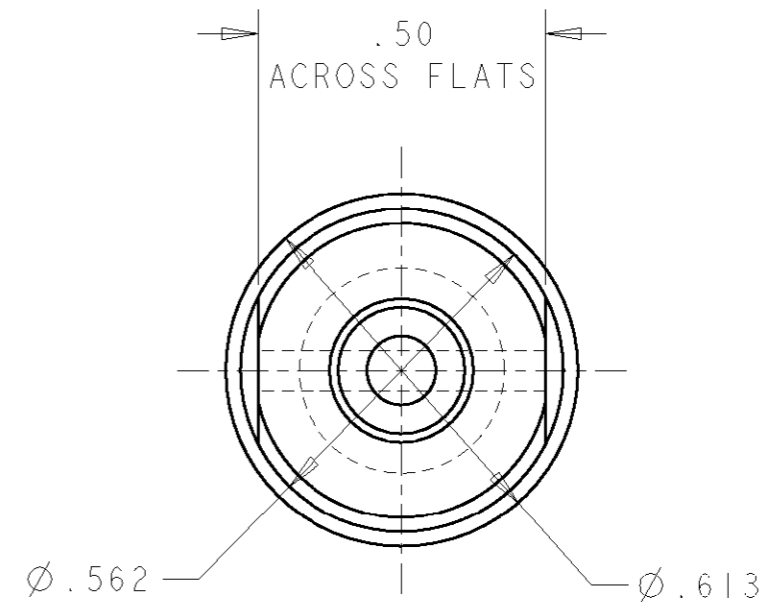
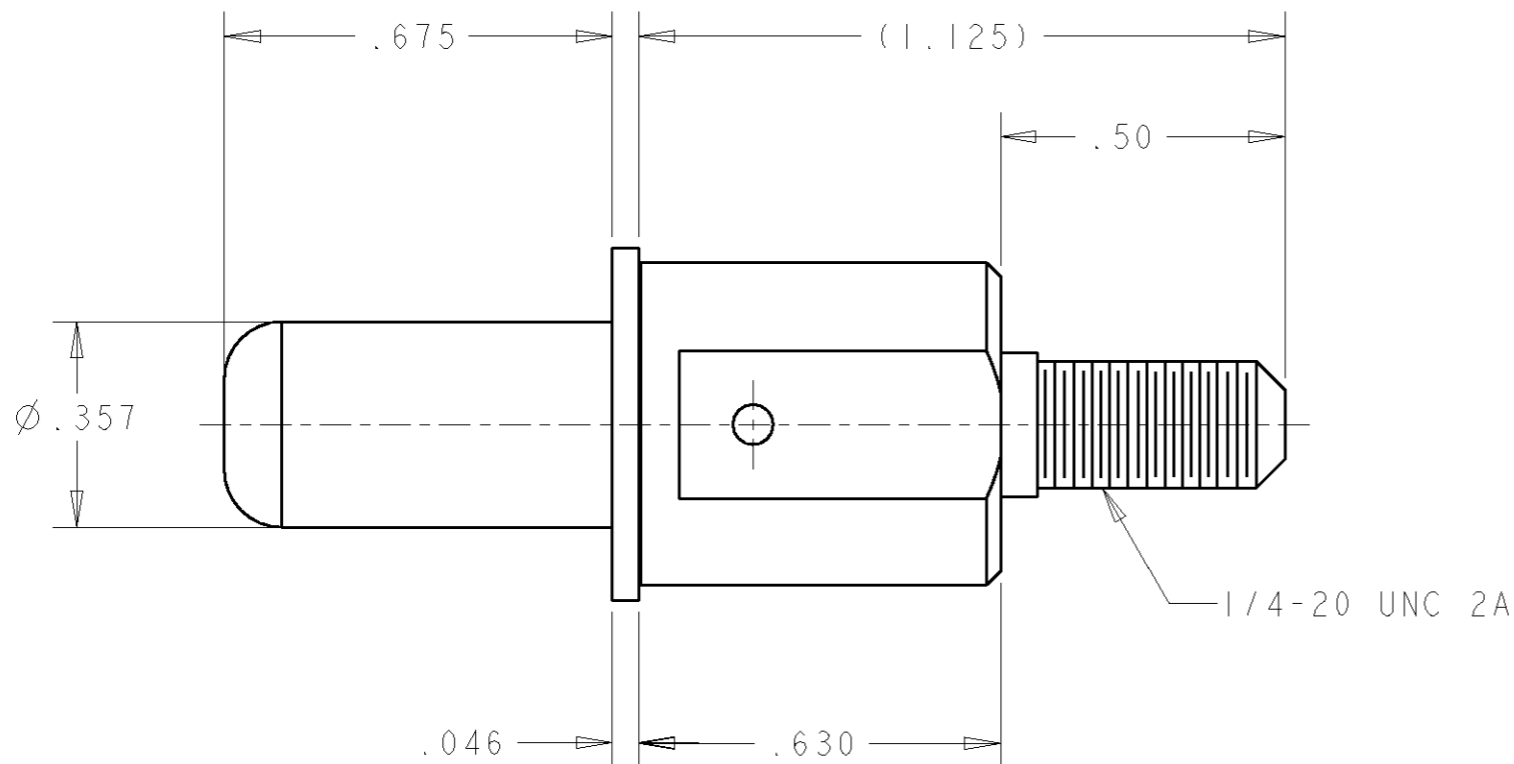
3

2

1

THIS DRAWING IS UNPUBLISHED. RELEASED FOR PUBLICATION 20  
© COPYRIGHT 20 BY TYCO ELECTRONICS CORPORATION. ALL RIGHTS RESERVED.

| LOC | DIST | REVISIONS   |                       |           |       |
|-----|------|-------------|-----------------------|-----------|-------|
| P   | LTR  | DESCRIPTION | DATE                  | DWN       | APVD  |
| GP  | 00   | B           | REV PER ECO-07-025570 | 01NOV2007 | RG DO |
|     |      |             |                       |           |       |
|     |      |             |                       |           |       |



1. PART NUMBER CHANGES AND OR DESIGN CHANGES AFFECTING ITEM INTERCHANGEABILITY REQUIRE PRIOR TYCO ELECTRONICS APPROVAL AND AUTHORIZATION BY REVISION TO THIS PRODUCT.

2 MATERIAL: COPPER ALLOY

3 FINISH: SILVER PLATE .000200 MIN THK. OVER NICKEL .000050 MIN THK.

|             |           |
|-------------|-----------|
| AS SHOWN    | 1766268-1 |
| DESCRIPTION | PART NO.  |

|   |   |   |   |
|---|---|---|---|
| <small>THIS DRAWING IS A CONTROLLED DOCUMENT FOR TYCO ELECTRONICS CORPORATION IT IS SUBJECT TO CHANGE AND THE CONTROLLING ENGINEERING ORGANIZATION SHOULD BE CONTACTED FOR THE LATEST REVISION.</small> |   | DWN 01NOV2007<br>R.GRZYBOWSKI<br>CHR 01NOV2007<br>D.ORRIS<br>APVD 01NOV2007<br>S.FLICKINGER | Tyco Electronics<br>Harrisburg, PA 17105-3608 |
| DIMENSIONS:<br>INCHES<br>   | TOLERANCES UNLESS OTHERWISE SPECIFIED:<br>0 PLC ±-<br>1 PLC ±-<br>2 PLC ±.02<br>3 PLC ±.010<br>4 PLC ±-<br>ANGLES ±.5 | NAME<br>CONTACT, PIN, SIZE No.0<br>1/4-20 EXT. THD, SINGLE CROWN<br>DRAWERS                 | SIZE<br>A3                                    |
| MATERIAL<br>  | FINISH<br>  | PRODUCT SPEC<br>-<br>APPLICATION SPEC<br>-<br>WEIGHT<br>-                                   | CAGE CODE<br>00779                            |
| CUSTOMER DRAWING  |   | DRAWING NO<br>C-1766268   | RESTRICTED TO<br>-                            |
|   |   | SCALE 3:1   | SHEET 1 OF 1 REV B                            |